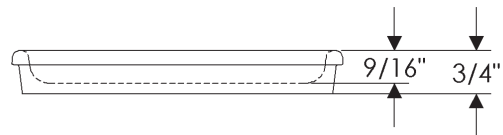
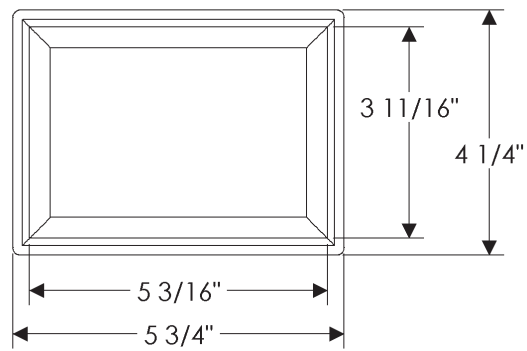


ROCKY MOUNTAIN®

H A R D W A R E



SD100
Soap Dish
 $4 \frac{1}{4}$ " x $5 \frac{3}{4}$ "