

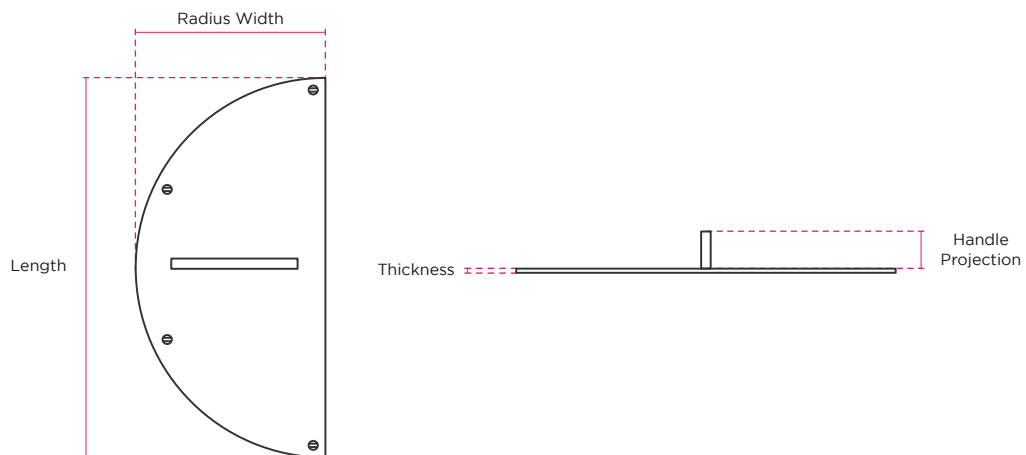
HENRY BLAKE

HARDWARE

Product Code: SK3255 | **Product Name:** Grooved Pull on Half Moon Backplate



Finish - Shown in Antique Brass | Available in all Henry Blake Hardware finishes



Length	Radius Width	Thickness	Handle Length	Handle Projection
245mm	119mm	2mm	85mm	25mm

Supplied with 4 x matching finished slotted flat head screws, size 6 x 3/4" - Sold individually

Custom sizes available upon request