

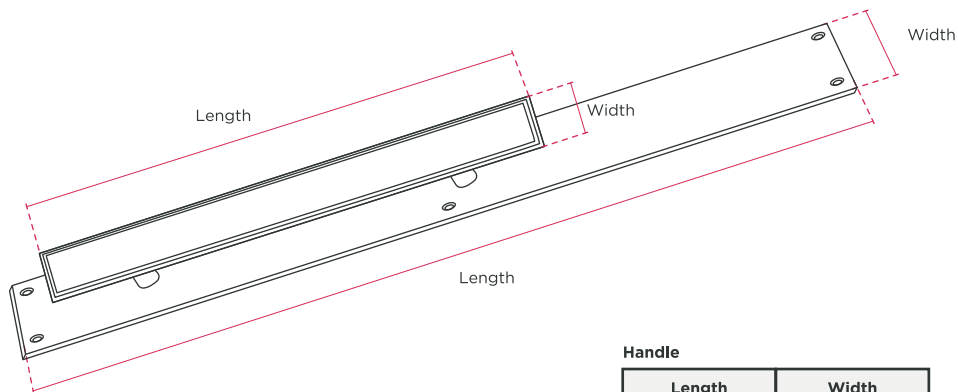
HENRY BLAKE

HARDWARE

Product Code: SK0131 - SK0125 | **Product Name:** Art Deco Push Pull Handle on Plate



Finish - Shown in Dark Bronze | Available in all Henry Blake Hardware finishes



Handle

Length	Width
350mm	40mm

Backplate

Length	Width	Thickness
600mm	60mm	5mm

Fixings: 6 x Semi domed slotted screws no.6 x 1"