

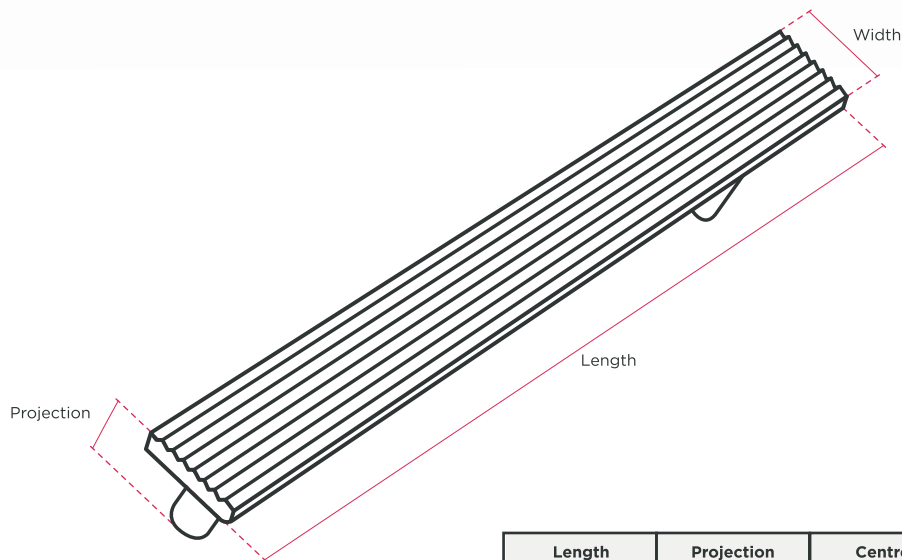
# HENRY BLAKE

HARDWARE

**Product Code:** SK3700 | **Product Name:** Fluted Cabinet Pull



**Finish - Shown in Polished Chrome** | Available in all Henry Blake Hardware finishes



Length	Projection	Centres	Width
130mm	28mm	96mm	25mm
170mm	28mm	128mm	25mm
202mm	28mm	160mm	25mm
265mm	28mm	224mm	25mm

Custom sizes available upon request

**Fixings: Supplied 2x M4 x 30mm machine bolts**