

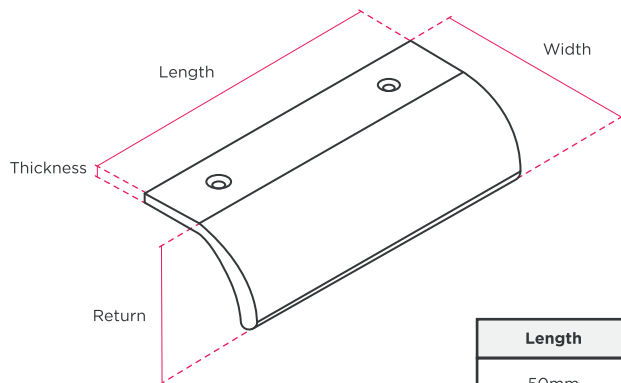
HENRY BLAKE

HARDWARE

Product Code: SK3415 | **Product Name:** Curved Edge Catch Pull



Finish - Shown in Antique Brass | Available in all Henry Blake Hardware finishes



Fixings: Supplied with matching finished slotted flat head screws, size 6 x 3/4.

Length	Width	Return	Thickness	No of Screwholes
50mm	42mm	22mm	3mm	2
100mm	42mm	22mm	3mm	2
150mm	42mm	22mm	3mm	2
300mm	42mm	22mm	3mm	2
450mm	42mm	22mm	3mm	3
600mm	42mm	22mm	3mm	3
750mm	42mm	22mm	3mm	4
1000mm	42mm	22mm	3mm	4

Custom sizes available upon request