

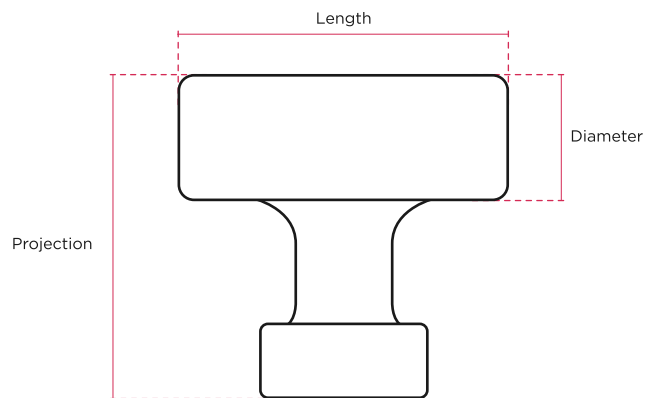
HENRY BLAKE

HARDWARE

Product Code: SK3210 | **Product Name:** Bauhaus T Bar Cabinet Knob



Finish - Shown in Antique Brass | Available in all Henry Blake Hardware finishes



Length	Diameter	Projection	Base
36mm	15mm	36mm	20mm

Fixings: Supplied 1 x M4 X 30mm