

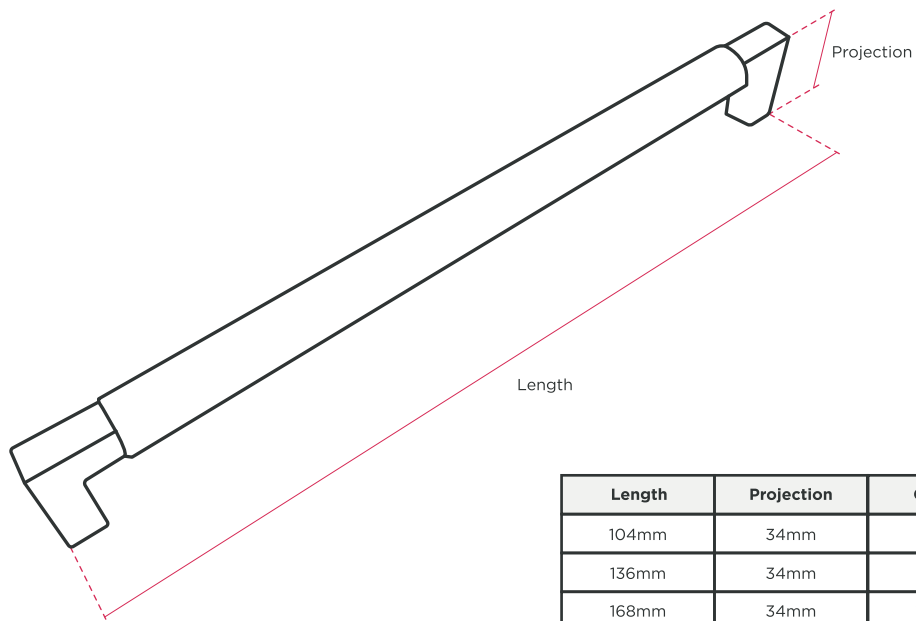
# HENRY BLAKE

HARDWARE

**Product Code:** SK3200 | **Product Name:** Bauhaus Cabinet Bar Handle



**Finish - Shown in Dark Bronze** | Available in all Henry Blake Hardware finishes



Length	Projection	Centres
104mm	34mm	96mm
136mm	34mm	128mm
168mm	34mm	160mm
232mm	34mm	224mm
296mm	34mm	288mm

**Fixings: Supplied 2x M4 x 30mm machine bolts**

Custom sizes available upon request