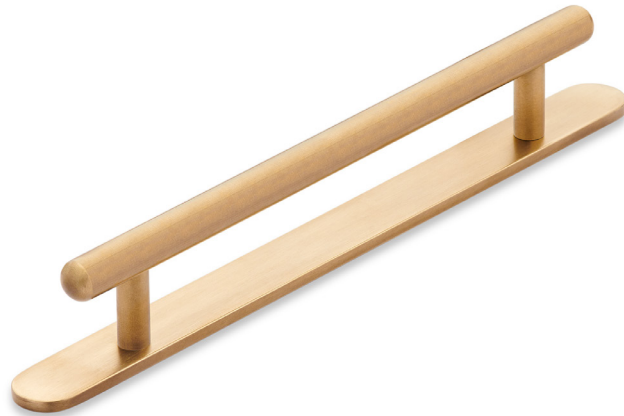


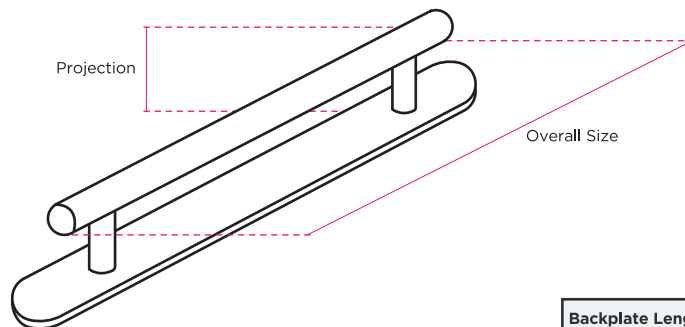
HENRY BLAKE

HARDWARE

Product Code: SK3161 | **Product Name:** Retro Cylinder Cabinet Pull Handle on Backplate



Finish - Shown in Antique Brass | Available in all Henry Blake Hardware finishes



		Backplate Length	Backplate Width
		240mm	20mm
		304mm	20mm
		368mm	20mm
Overall Size*	Fixing Centres	Bar Diameter	Projection
208mm	160mm	12mm	33mm
272mm	224mm	12mm	33mm
336mm	288mm	12mm	12mm

Fixings: Supplied 2 x M4 fixing bolts.

Custom sizes available upon request