

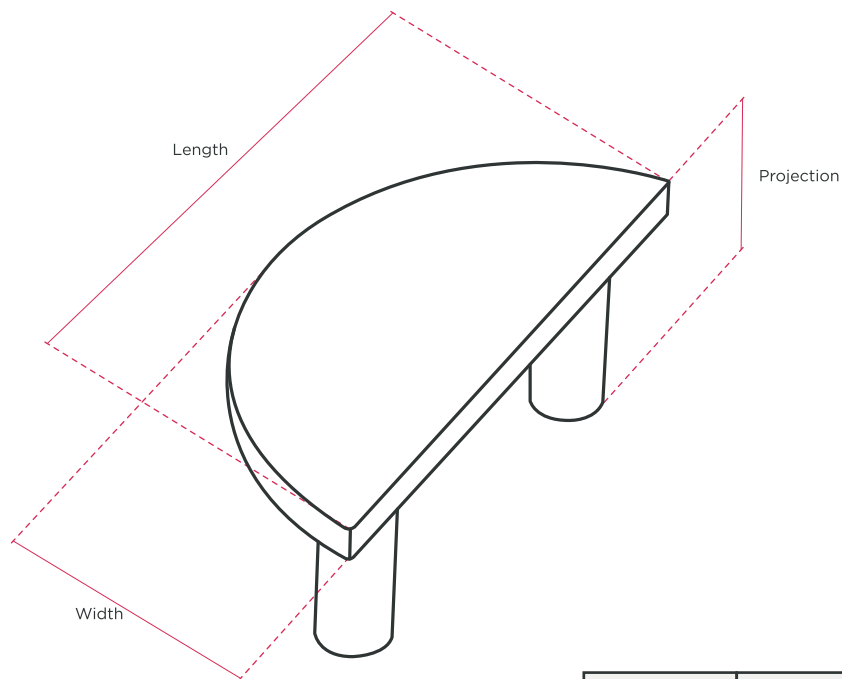
HENRY BLAKE

HARDWARE

Product Code: SK3120 | **Product Name:** Hammered Half Moon Cabinet Pull



Finish - Shown in Antique Brass | Available in all Henry Blake Hardware finishes



Fixings: Supplied 2x M4 x 30mm machine bolts
***Sold Individually**

Length	Projection	Width
75mm	28mm	32mm

Custom sizes available upon request