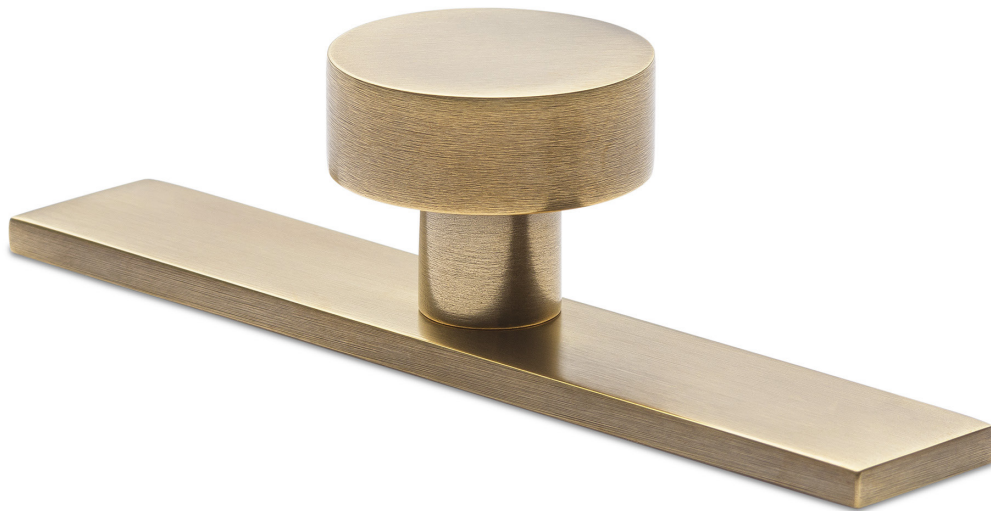


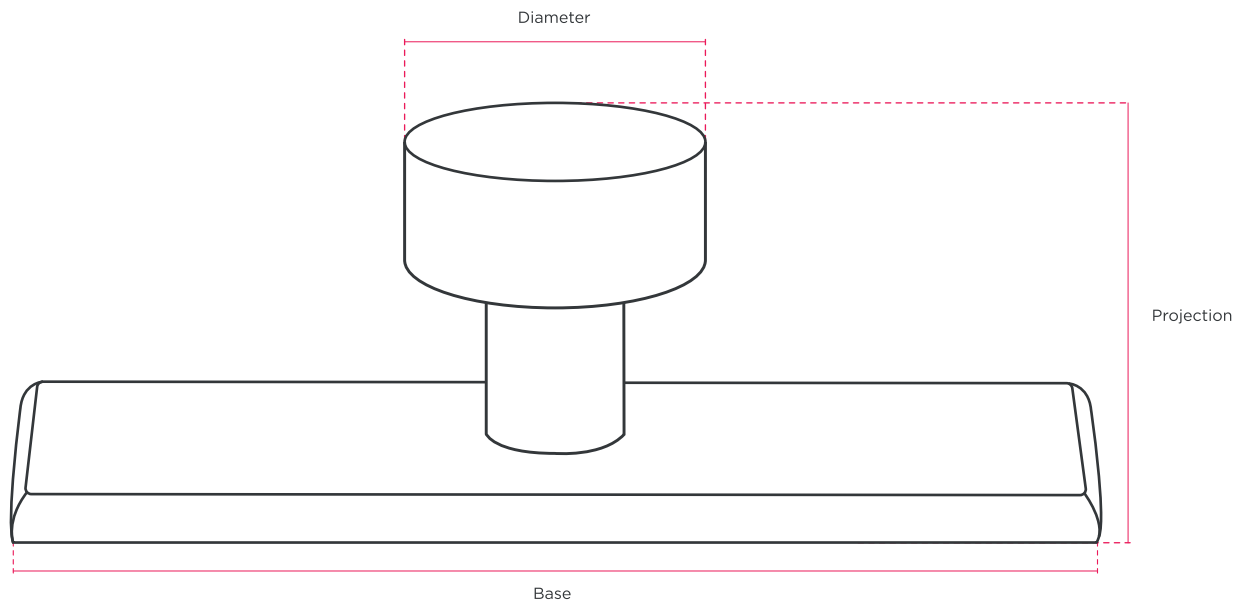
# HENRY BLAKE

HARDWARE

**Product Code:** SK3012 | **Product Name:** Round Cabinet Knob on Rectangular Backplate



**Finish - Shown in Antique Brass Waxed** | Available in all Henry Blake Hardware finishes



**Fixings: Supplied 1x M4 x 30mm machine bolts**

Knob Diameter	Projection	Backplate Length	Backplate Width
32mm	30mm	115mm	20mm

Custom sizes available upon request