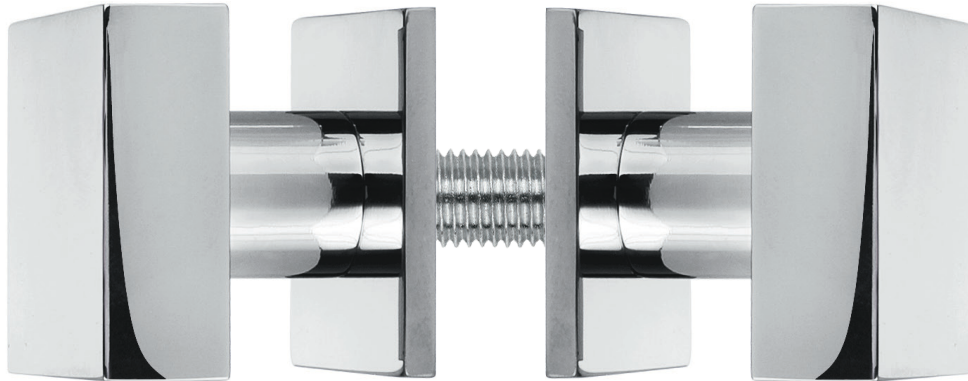


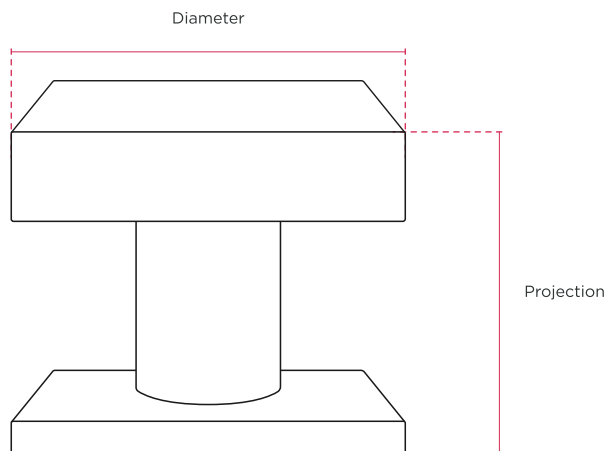
# HENRY BLAKE

HARDWARE

**Product Code:** SK3001 | **Product Name:** Back to Back Square Pull



**Finish - Shown in Polished Chrome** | Available in all Henry Blake Hardware finishes



Projection	Diameter	Rose
30mm	30mm	30mm
35mm	40mm	40mm
40mm	50mm	50mm

Custom sizes available upon request  
Available back to back upon request