

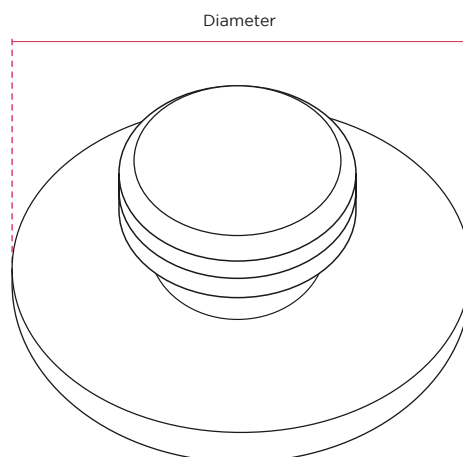
HENRY BLAKE

HARDWARE

Product Code: SK2502 | **Product Name:** Round Bathroom Turn & Release



Finish - Shown in Polished Chrome | Available in all Henry Blake Hardware finishes



Diameter	Thickness	Spindle Size
50mmx50mm	6mm	5mm