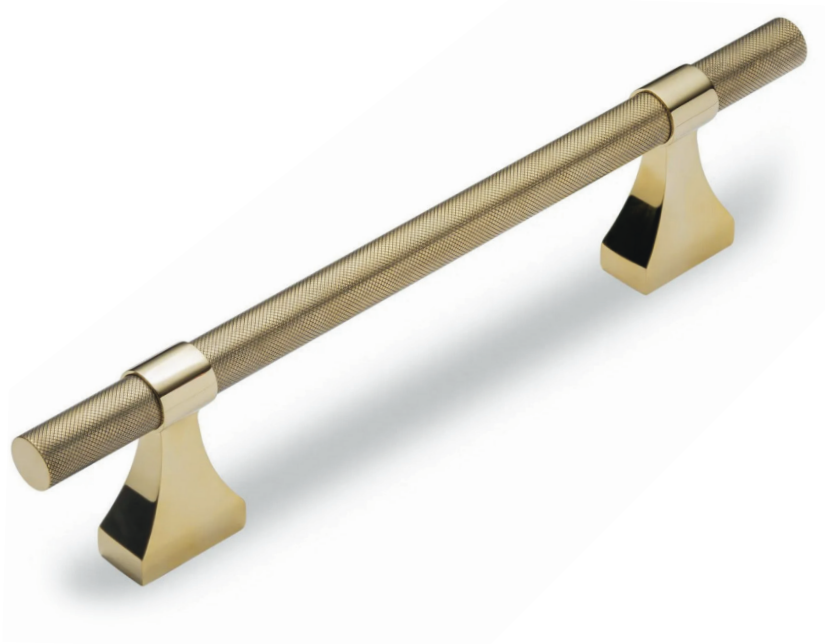


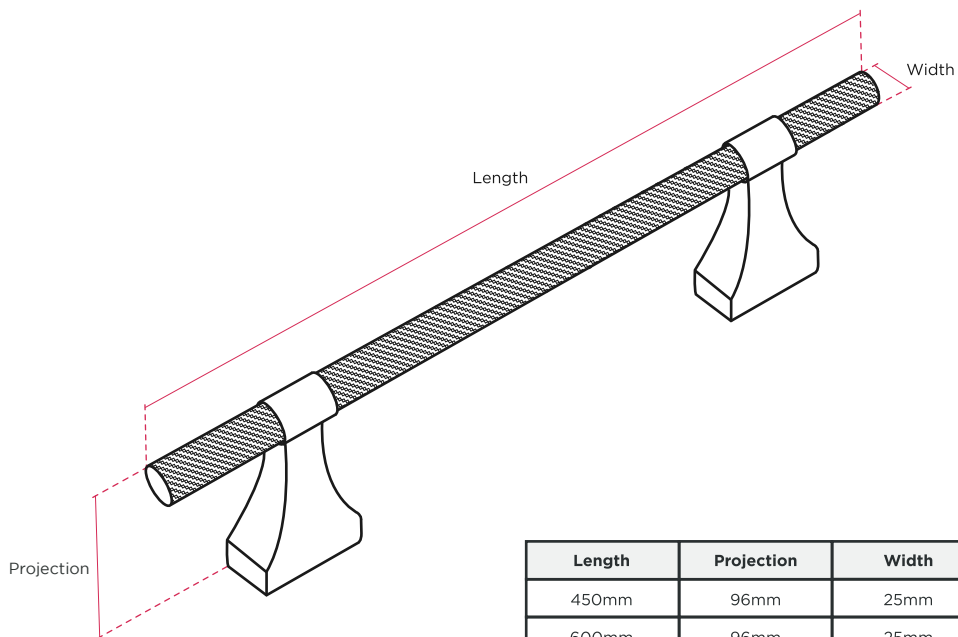
HENRY BLAKE

HARDWARE

Product Code: SK0187 | **Product Name:** Knurled Bar Pull Handle on Shaped Stems



Finish - Shown in Polished Brass | Available in all Henry Blake Hardware finishes



Length	Projection	Width	Centres
450mm	96mm	25mm	300mm
600mm	96mm	25mm	450mm
750mm	96mm	25mm	600mm
900mm	96mm	25mm	750mm

Fixings: Supplied 2x M10 x 60mm bolts

Custom sizes available upon request
Back to back sets available upon request.