

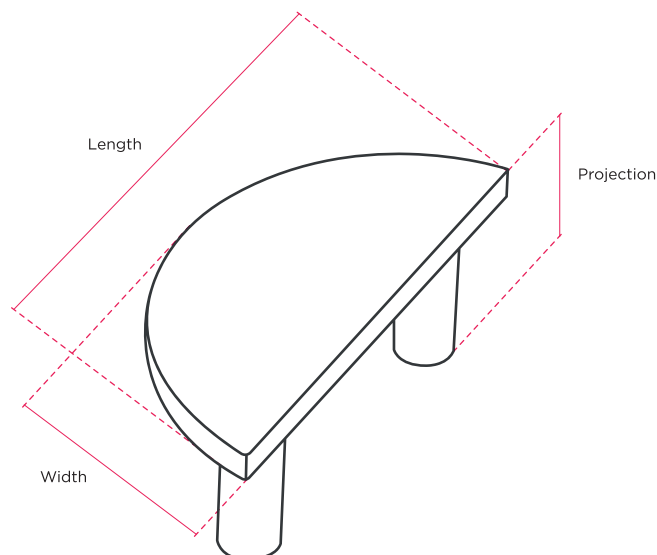
HENRY BLAKE

HARDWARE

Product Code: SK0146 | **Product Name:** Hammered Half Moon Shaped Pull Handle



Finish - Shown in Antique Brass | Available in all Henry Blake Hardware finishes



Length	Projection	Width	Post Diameter	Centres
200mm	45mm	91mm	25mm	130mm
300mm	45mm	137mm	25mm	200mm

Fixings:
Supplied with 2 x M10 x 60mm Bolts
Sold individually

Custom sizes available upon request
Back to back sets available upon request.