

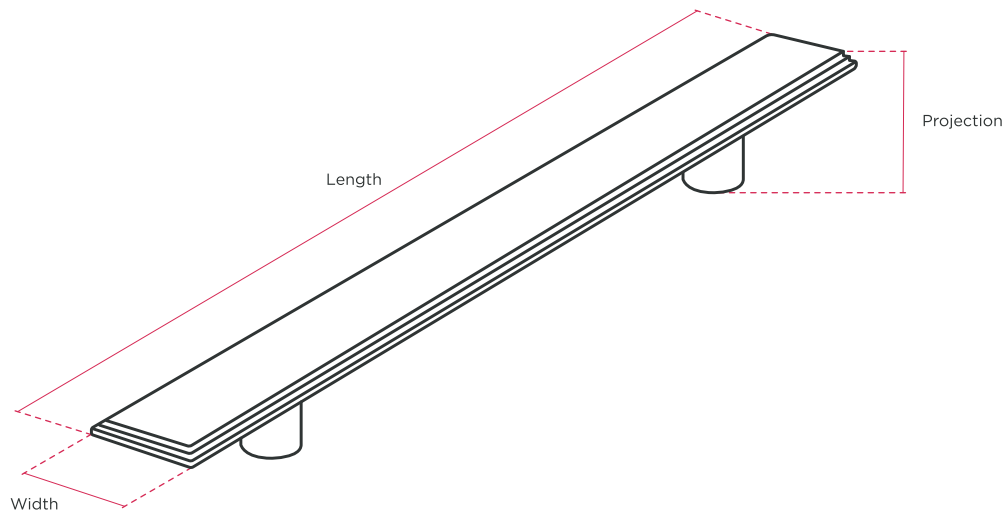
HENRY BLAKE

HARDWARE

Product Code: SK0131 | **Product Name:** Art Deco Pull Handle



Finish - Shown in Polished Chrome | Available in all Henry Blake Hardware finishes



Length	Width	Projection	Centres
350mm	40mm	30mm	230mm

Fixings: Supplied 2 x M6 x 60mm bolts

Custom sizes available upon request
Available back to back upon request