

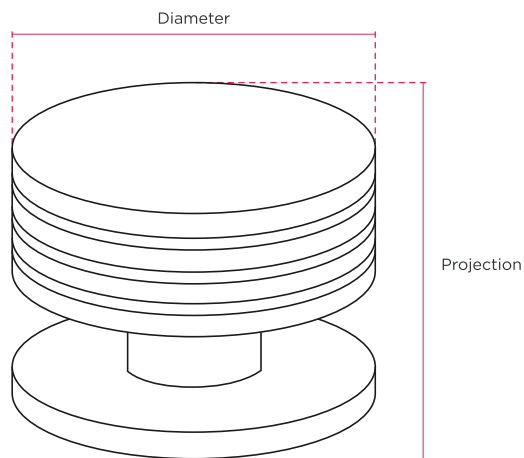
HENRY BLAKE

HARDWARE

Product Code: SK0110 **Product Name:** Ringed Centre Door Knob



Finish - Shown in Custom Bronze Finish | Available in all Henry Blake Hardware finishes



Fixings: Supplied 1x M6 x 60mm machine bolts

Diameter	Rose	Projection
65mm	65mm	50mm