

# BUSTER + PUNCH

## HARDWARE / THUMB TURN LOCK

TECH SPEC



### THUMB TURN LOCK

A thumb turn made from solid metal. A solid knob with diamond-cut knurled detailing, ensuring pleasure with every touch. Works great on all internal doors and can be teamed up with our matching door handles. Available in 3 metal finishes using brushed brass, steel and smoked bronze.

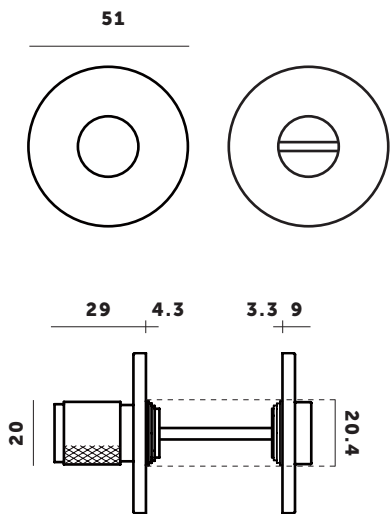
[busterandpunch.com](http://busterandpunch.com)  
[info@busterandpunch.com](mailto:info@busterandpunch.com)



**HARDWARE / THUMB TURN LOCK**

TECH SPEC

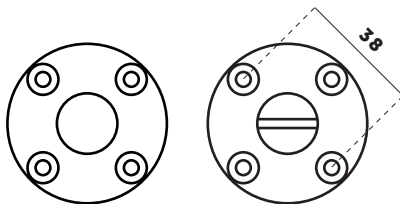
**38 / SUITABLE FOR THE UK**



**PRODUCT INFORMATION**

**Type:** 38 mm\*  
**Use:** Interior doors  
**Fixings:** Screw fixings included.  
**Lock:** Wood screw fixings\*\*  
**Door thickness:** 41 - 54 mm thick.  
**Rose:** Pair of concealed fixing roses – slim profile, clip fit.  
**Box includes:** 1 x Pair of thumb turn locks, 1 x square bar & 8 x screw fittings.  
**Material:** Solid steel, brass or smoked bronze  
**Knob width:** 20 mm  
**Rose:** 51 x 4 mm  
**Projection:** 29 mm  
**Square bar size:** 5 x 5 mm

**FIXINGS**



A cover plate is included to cover the screw holes

**FINISH**

-  Steel
-  Brass
-  Smoked Bronze

**SKU**

- UK-TT-38-ST-A**
- UK-TT-38-BR-A**
- UK-TT-38-SM-A**

\*This number indicates the cc millimetre measurement for the screw holes that are used to fit the round plate to the door. 38 mm is standard for the UK and some parts of Europe, 30 mm is standard for Sweden and most of Scandinavia.

\*\*Recommended locks & latches from ZOO Hardware:  
 Bathroom Lock: **ZOO ZTDA76**  
 Bathroom Plates: **ZOO ZLAP02**

**CARE INSTRUCTIONS**

Wipe with damp cloth with no loose hairs, avoid using any chemicals. Please note all finishes are prone to aging.